



## NX READY AAA 800mAH NIMH

### MAIN INFORMATION / INFORMATIONS GENERALES

<b>BRAND NAME</b>	MARQUE	NX
<b>TECHNOLOGY</b>	TECHNOLOGIE	Nickel metal hydride
<b>NOMINAL VOLTAGE</b>	TENSION NOMINALE	1.2V
<b>TYPICAL CAPACITY</b>	CAPACITÉ TYPE	800mAh
<b>MINIMUM CAPACITY</b>	CAPACITÉ MINIMUM	800mAh
<b>CHARGING CONDITION</b>	CONDITIONS DE CHARGE	80mAh for 16hrs at 20°C
<b>DIMENSIONS</b>	DIMENSIONS	44.5 (h) x 10.5 mm (Ø)
<b>WEIGHT</b>	POIDS	12g
<b>TOP</b>	TYPE DE PLOT	Commercial Top / Plot Pile



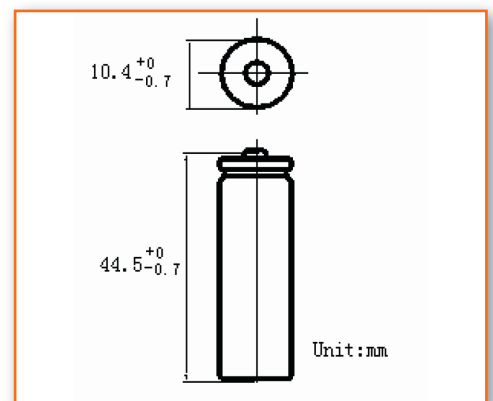
### TECHNICAL INFORMATION / INFORMATIONS TECHNIQUES

<b>FAST CHARGE</b>	RAPIDITÉ DE CHARGE	up to 400mA Charge termination control recommended control parameters: - $\Delta V = 0-5mV$ DT/dt** : 0.80C/min(0.5 to 0.9C) // 0.8-1°C/min
<b>PERMANENT CHARGE</b>	CHARGE PERMANENTE	24mA to 40mA
<b>MAX. OVERCHARGE CURRENT</b>	SURCHARGE MAX	75 mA up to 48 hours
<b>MAX. CHARGING VOLTAGE</b>	TENSION DE CHARGE MAX.	1,5V at 80 mA charging
<b>DISCHARGE CUT OFF VOLTAGE</b>	TENSION DE COUPURE	1V
<b>MAX DISCHARGING CURRENT</b>	COURANT DE DÉCHARGE MAX	2400mA (3C)
<b>INTERNAL RESISTANCE</b>	RÉSISTENCE INTERNE	Average 670m $\Omega$ (upon fully charged at 1000HZ)
<b>AMBIENT TEMPERATURE RANGE</b>	PLAGE DE TEMPÉRATURE AMBIANTE	
• Standard charging / Charge standard		0°C to 45°C
• Fast charging / Charge rapide		10°C to 40°C
• Discharging / Décharge		-20°C to 60°C
• Storage / Stockage		-20°C to 35°C
<b>SERVICE LIFE</b>	DURÉE DE VIE	> 500 cycles (IEC standard)



### ADDITIONAL INFORMATION / INFORMATIONS COMPLÉMENTAIRES

<b>EAN CODE</b>	CODE EAN	3660766423597
<b>PACKING CONDITIONS</b>	CONDITIONNEMENT	Blister x 2 AA
<b>INNER BOX QUANTITY</b>	QUANTITÉ PAR BOITE	12 Blisters
<b>OUTTER BOX QUANTITY</b>	QUANTITÉ PAR CARTON	144 Blisters



CHARGE CURVES

DISCHARGE CURVES

