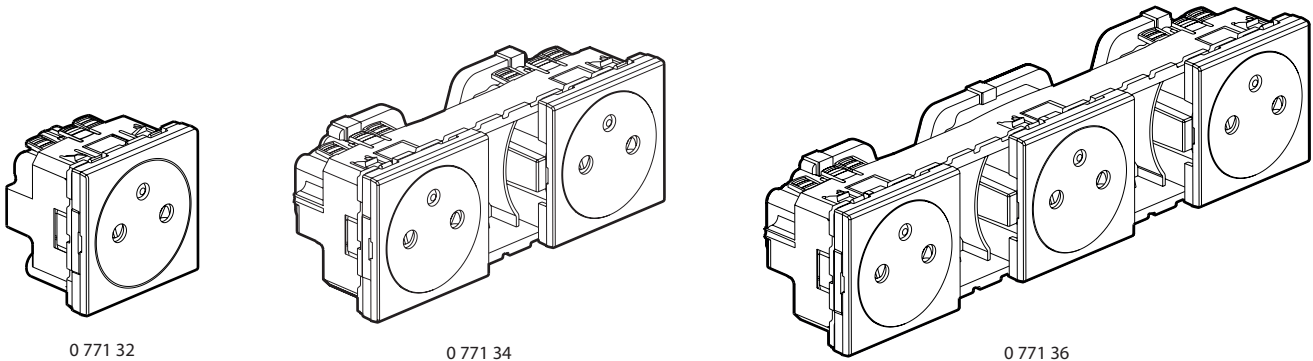


**Mosaic™**  
**Flush-fit socket outlets**  
**Franco-Belgian standard**

**Cat. No(s): 0 771 32/33/34/36 - 0 787 04**  
**0 791 32/34/36 - 0 793 42/44/46**



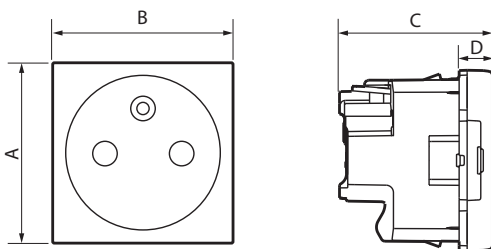
**1. USE**

2 P+E surface socket outlet for installation in flush-mounting box, surface-mounting box, workstation kit, floor box, column module, desktop multi-outlet extension and trunking  
 Facilitates cleaning and avoids the accumulation of dirt.

**2. RANGE**

	White	Alu	Red	Green	Anthracite
2 P+E flush-fit socket antimicrobial	0 771 32	-	0 771 33	0 787 04	-
2 P+E flush-fit socket	-	0 793 42	-	-	0 791 32
2 x 2 P+E flush-fit socket pre-wired	0 771 34	0 793 44	-	-	0 791 34
3 x 2 P+E flush-fit socket pre-wired	0 771 36	0 793 46	-	-	0 791 36

**3. DIMENSIONS (mm)**



References	A	B	C	D
0 771 32/33 - 0 787 04 - 0 793 42 - 0 791 32	45	45	38.5	8.5
0 771 34 - 0 793 44 - 0 791 34	45	116	38.5	8.5
0 771 36 - 0 793 46 - 0 791 36	45	187	38.5	8.5

**4. CONNECTION**

Type of terminals: automatic  
 Number of terminals: 3 entrées, 3 sorties  
 Terminal capacity: 2 x 2.5 mm<sup>2</sup>  
 Stripping length: 12 mm

**5. TECHNICAL CHARACTERISTICS**

■ **5.1 Mechanical characteristics**  
 Protection against solid bodies and liquids: IP 41  
 Protection against impacts: IK 04

■ **5.2 Material characteristics**  
 Halogen free  
 UV resistant  
 Bases: PC  
 Covers: PC White RAL 9003  
 PC color painted Alu  
 ABS Anthracite  
 Covers for antimicrobial references: PC + antimicrobial treatment.

	Coefficient de réduction
Aspergillus niger	Log 0
Bacillus cereus	Log 0.05
Bacillus subtilis	Log 0.09
Candida albicans	Log 0.86
Enterovirus Polio 1	Log 1
Escherichia Coli	Log 6.3
Myobacterium Avium	Log 0.04
Myobacterium Terraе	Log 1.21
Pseudomonas aeruginosa	Log 4.4
Staphylococcus aureus	Log 2.67

(Reminder: log 4 = 99.99%; log 3 = 99.9%; log 2 = 99%; log 1 = 90%)  
 Tests performed according to JIS Z 2801: 2000 standards and JIS Z 2801: 2006 Test report available upon request  
 Tests according with JIS Z 2801: 2000 and JIS Z 2801: 2006  
 Test report available on request.

Self-extinguishing:  
 + 850°C / 30 s for insulating parts holding live parts in place.  
 + 650°C / 30 s for other parts made of insulating materials.

■ **5.3 Electrical characteristics**  
 Voltage: 250 V~  
 Current: 16 A

■ **5.4 Climatic characteristics**  
 Storage temperature: - 10°C to + 70°C  
 Operating temperature: - 5°C to + 35°C

## 6. CLEANING

Surface cleaning with a cloth.

Do not use: acetone, tar remover, trichloroethylene.

### ■ 6.1 Resistance to the cleaning agents:

Hexane (NF C 61-314), Methylated spirit, Soapy water, Diluted ammonia, Diluted pure bleach 10%, Glass cleaning substances, Pre-impregnated wipes.

### ■ 6.2 Resistance to type cleaning hospital:

Anios, Surfianos, Bactylisine, hydrogen peroxide (35%).

**Caution:** A preliminary test should be carried out if other specific cleaning products are to be used.

## 7. STANDARDS AND APPROVALS

Compliance with standards of installation and manufacturing.

See e. catalogue.